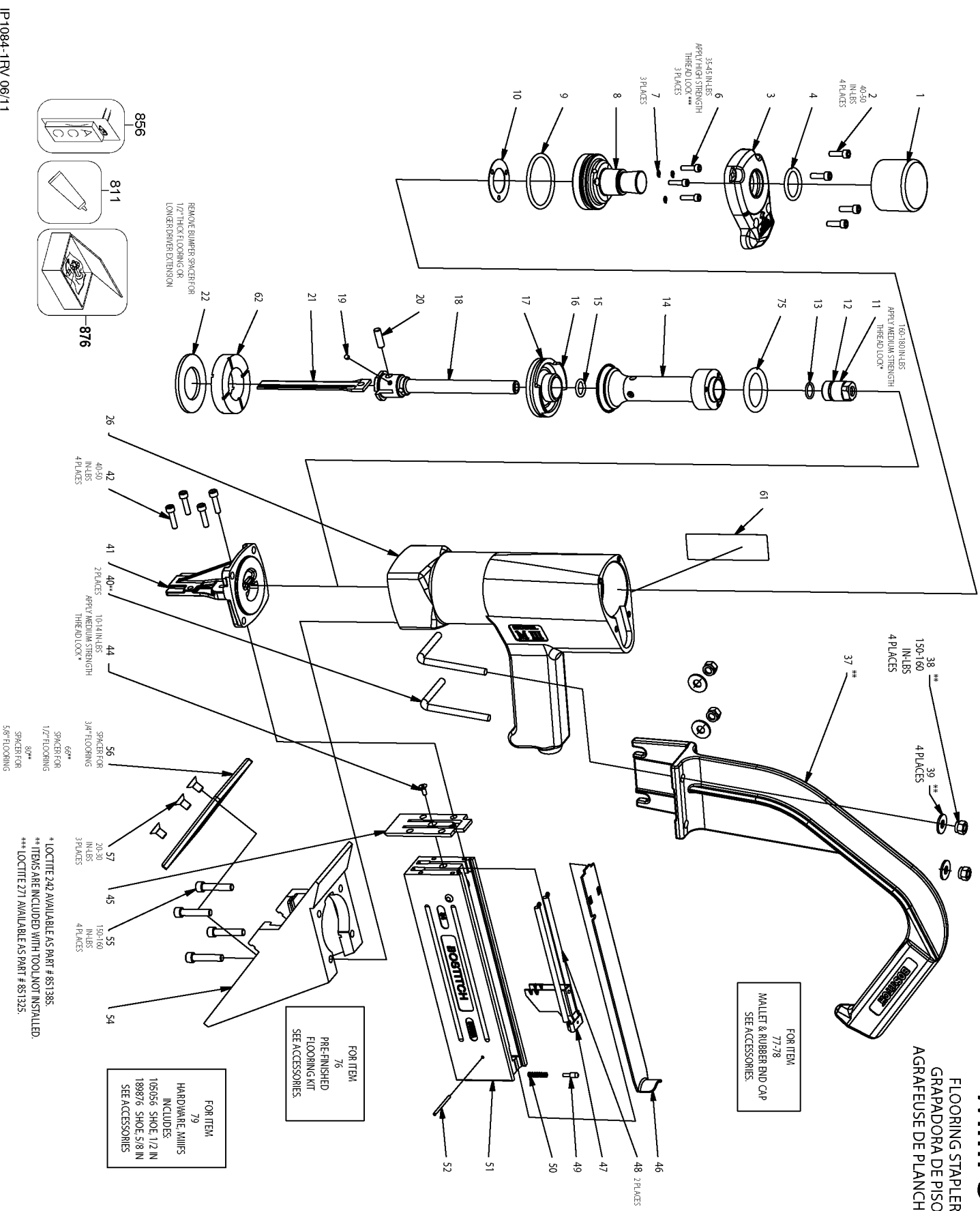


MIIFES

FLOORING STAPLER GRAPADORA DE PISOS AGRAFEUSE DE PLANCHER



IP1084-REV 06/11
TO BE USED WITH PARTS LIST IP1084-2 AND OPERATION AND MAINTENANCE MANUAL 103697.

FOR ITEM
79
HARDWARE, MIIFES
INCLUDES:
105 056 SHOE 1/2 IN
189 876 SHOE 5/8 IN
SEE ACCESSORIES

FOR ITEM
76
PRE-FINISHED
FLOORING KIT
SEE ACCESSORIES

FOR ITEM
77-78
MALLET & RUBBER END CAP
SEE ACCESSORIES.

* LOCTITE 242 AVAILABLE AS PART # 851385
** ITEMS ARE INCLUDED WITH TOOL NOT INSTALLED.
*** LOCTITE 271 AVAILABLE AS PART # 851325

856
REMOVE RUBBER SKRIFER FOR
1/2" FLOORING OR
LONGER RUBBER EXTENSION

811

876

26

42
40-50
IN-LBS
4 PLACES

41
40-50
IN-LBS
2 PLACES

44
10-14 IN-LBS
APPLY MEDIUM STRENGTH
THREAD LOCK*

56
SPKR FOR
1/2" FLOORING
68**

57
SPKR FOR
3/4" FLOORING
20-30
IN-LBS
3 PLACES

45
150-160
IN-LBS
4 PLACES

55
54

52
51
50
49
47
48 2 PLACES

38
150-160
IN-LBS
4 PLACES

39
4 PLACES

37
61

1
2
3
4
5
6
7
8
9
10
11
12
13
14
15
16
17
18
19
20
21
22

35-45 IN-LBS
APPLY HIGH STRENGTH
THREAD LOCK***
3 PLACES

3 PLACES

10x180 IN-LBS
APPLY MEDIUM STRENGTH
THREAD LOCK**

75

62

62

61

46

47

48 2 PLACES

49

50

51

52

53

54

Parts List for MIIIFS Type 0

| Item Number | Part Number | Description | Qty Required |
|-------------|-------------|----------------------|--------------|
| 1 | 87502 | HAMMER FACE | 1 |
| 2 | UA3810.4 | SCREW-10-24 X 5/8 SH | 4 |
| 3 | 117524 | CAP-FRAME | 1 |
| 4 | 88445 | O-RING | 1 |
| 6 | UA2810 | SCREW-SHCS-8-32X5/8 | 3 |
| 7 | LW8.2 | LOCK WASHER | 3 |
| 8 | BC1295 | POPPET ACTUATOR | 1 |
| 9 | 86460 | O-RING | 1 |
| 10 | 180256 | SEAL | 1 |
| 11 | BC703 | STEM-PLUNGER - MII | 1 |
| 12 | 850144 | O-RING-.614X.070 | 1 |
| 13 | 86458 | O-RING | 1 |
| 14 | 121800 | POPPET | 1 |
| 15 | 850143 | O-RING-.487X.103 | 1 |
| 16 | BC1175 | DRIVER PISTON | 1 |
| 17 | 850626 | O-RING-1.984X.139 | 1 |
| 18 | BC1455 | PISTON STEM | 1 |
| 19 | BC347 | NYLON INSERT | 1 |
| 20 | UB4112.3 | PIN- DOWEL .250 X .7 | 1 |
| 21 | BC1586 | DRIVER | 1 |
| 22 | 9R199632 | SPACER-BUMPER | 1 |
| 26 | BC1328AFS | BODY | 1 |
| 37 | BC1619 | HANDLE-LONG | 1 |
| 38 | HN1420.4 | NUT-ESN-1/4-20 | 4 |
| 39 | PW14 | WASHER-1/4 USS FLAT | 4 |
| 40 | BC1301 | CLAMP SCREW | 2 |
| 41 | 177776 | NOSE | 1 |

COPYRIGHT© 2005. All Rights Reserved.

Parts list, pricing, and availability subject to change. Please visit www.dewaltservicenet.com for current parts information.

Parts List for MIIIFS Type 0

| Item Number | Part Number | Description | Qty Required |
|-------------|-------------|----------------------|--------------|
| 42 | UA3816.4 | SCREW-SHCS-10-24X1 | 4 |
| 42 | 107166 | SCREW-SHCS-10-24X3/4 | 4 |
| 44 | UA1806.8 | SCREW-SFHCS-6-32X3/8 | 1 |
| 45 | BC1298 | WEAR PLATE | 1 |
| 46 | BC690 | COVER-MAGAZINE | 1 |
| 47 | BC1158 | PUSHER | 1 |
| 48 | BC1159 | SPRING-EXTENSION | 2 |
| 49 | BC34 | MAG.COVER LATCH SHO | 1 |
| 50 | BC41 | SPRING-COVER DETENT | 1 |
| 51 | BC983A | ASSEMBLY-MAGAZINE BO | 1 |
| 52 | UB2822 | PIN-SPRING ANCHOR | 1 |
| 54 | BC1300 | SHOE | 1 |
| 55 | UA4820.1 | SCREW-1/4-20X1-1/4 S | 4 |
| 56 | 105055 | SPACER-1/4 | 1 |
| 57 | UA4808.13 | SCREW-SFHCS-1/4-20X1 | 3 |
| 58 | 86314 | O-RING | 1 |
| 61 | 182280 | WARNING LABEL | 1 |
| 62 | 105043 | BUMPER | 1 |
| 66 | 105056 | SPACER-5/16 | 1 |
| 75 | 121799 | O-RING-1.287 X .210 | 1 |
| 77 | 174236 | MALLET-14.5IN GRAPHI | 1 |
| 78 | HFMF-SW | HDWD MALLET FACE | 1 |
| 79 | 117487 | HARDWARE-MIIIFS | 1 |
| 80 | 9R189876 | SHOE-5/8 IN. | 1 |
| 811 | 851325 | LOCTITE | 1 |
| 811 | 851385 | LOCTITE | 1 |
| 876 | ORK6 | REPAIR KIT | 1 |

COPYRIGHT© 2005. All Rights Reserved.

Parts list, pricing, and availability subject to change. Please visit www.dewaltservicenet.com for current parts information.

Parts List for MIIIFS Type 0

| Item Number | Part Number | Description | Qty Required |
|-------------|-------------|-------------|--------------|
| 876 | MIISK | REPAIR KIT | 1 |
| 876 | BK2 | BUMPER KIT | 1 |

COPYRIGHT© 2005. All Rights Reserved.

Parts list, pricing, and availability subject to change. Please visit www.dewaltservicenet.com for current parts information.