

Item No.	Type	Sub	Part No.	Description	Qty	Unit
001			101001	CYLINDER HEAD	1	PC.
002			211001	VALVE SEAT TO HEAD GASKET	1	PC.
003			104005	INLET & EXHAUST VALVE SEAT	2	PC.
004			212006	INLET & EXHAUST VALVE SEAL GASKET	1	PC.
005			125004	INLET & EXHAUST VALVE PLATE	2	PC.
006			151209	ELBOW	2	PC.
008			365003	BOLT FOR CONSOLE	4	PC.
009			352087	CYLINDER HEAD BOLT	4	PC.
010			382011	SPRING WASHER	4	PC.
011			151404	DISCHARGE ELBOW	1	PC.
012			230092S	DISCHARGE TUBE ASSY	1	PC.
013			151001	UNLOADING ELBOW	3	PC.
014			441025	NIPPLE	1	PC.
015			213009	VALVE SEAT TO CYLINDER GASKET	1	PC.
016			201013	CYLINDER	1	PC.
017			203002	PISTON	1	PC.
018			206002	COMPRESSION RING	2	PC.
019			207002	OIL CONTROL RING	1	PC.
020			204002	PISTON PIN	1	PC.
021			205001	PISTON PIN SNAP RING	2	PC.
022			214001	CYLINDER TO CRANKCASE GASKET	1	PC.
023			371005	SET NUT (CYLINDER TO CRANKCASE)	2	PC.
024			382005	SPRING WASHER (CYLINDER TO CRANKCASE)	2	PC.
025			358001	DOUBLE HEAD SCREW	2	PC.
026	1		402015-01	RETAINER CAP L, PLASTIC F/WHEEL #402015 (Use with 403002)	2	PC.
	2		403002	RETAINER CAP S, METAL F/WHEEL #402015 OR #2920295	2	PC.
027			215001	CRANKCASE COVER GASKET	1	PC.
028			302001	CRANKSHAFT	1	PC.
029			304014	CRANKCASE COVER	1	PC.
030			316001	CONNECTING ROD	1	PC.
031			321001	OIL SIGHT GAUGE	1	PC.
032			360001	OIL DRAINING PLUG	1	PC.
033			433011	MOTOR COVER	1	PC.
034			352071	MOTOR/CRANKCASE COVER BOLT	9	PC.
035			170013	AIR FILTER ASSY	1	PC.
036			324003	OIL FILLER/CRANKCASE BREATHER	1	PC.
037			251209	ELECTRIC MOTOR/CRANKCASE	1	PC.
		INC.		Item No. 53, 61, 69-71, 73		
038	2		2020295	WHEEL	2	PC.
039			217001	OIL GAUGE GASKET	1	PC.
040			401125	AIR TANK WITH FRAME	1	PC.
041			411029	PRESSURE/REGULATOR GAUGE	2	PC.
		INC.	411029-1-01	GLASS LENS	2	PC.
042			410029	REGULATOR	1	PC.
043			435016	RUBBER HANDLE	3	PC.
044			434006	TANK FOOT ASSY	2	PC.
046			407001	SAFETY VALVE (1/4")	1	PC.
047			413008	DRAIN COCK	1	PC.
048			409004	CHECK VALVE	1	PC.
		INC.	485002	ORANGE PUCK	1	PC.
049			452015	POWER CORD	1	PC.
050			412025	PRESSURE SWITCH	1	PC.
051			441001	REGULATOR NIPPLE	1	PC.
052			228070	UNLOADING TUBE ASSY (1/4")	1	PC.
053			431010	MOTOR FAN	1	PC.
054			151002	UNLOADING ELBOW	1	PC.
055			360002	PLUG	2	PC.

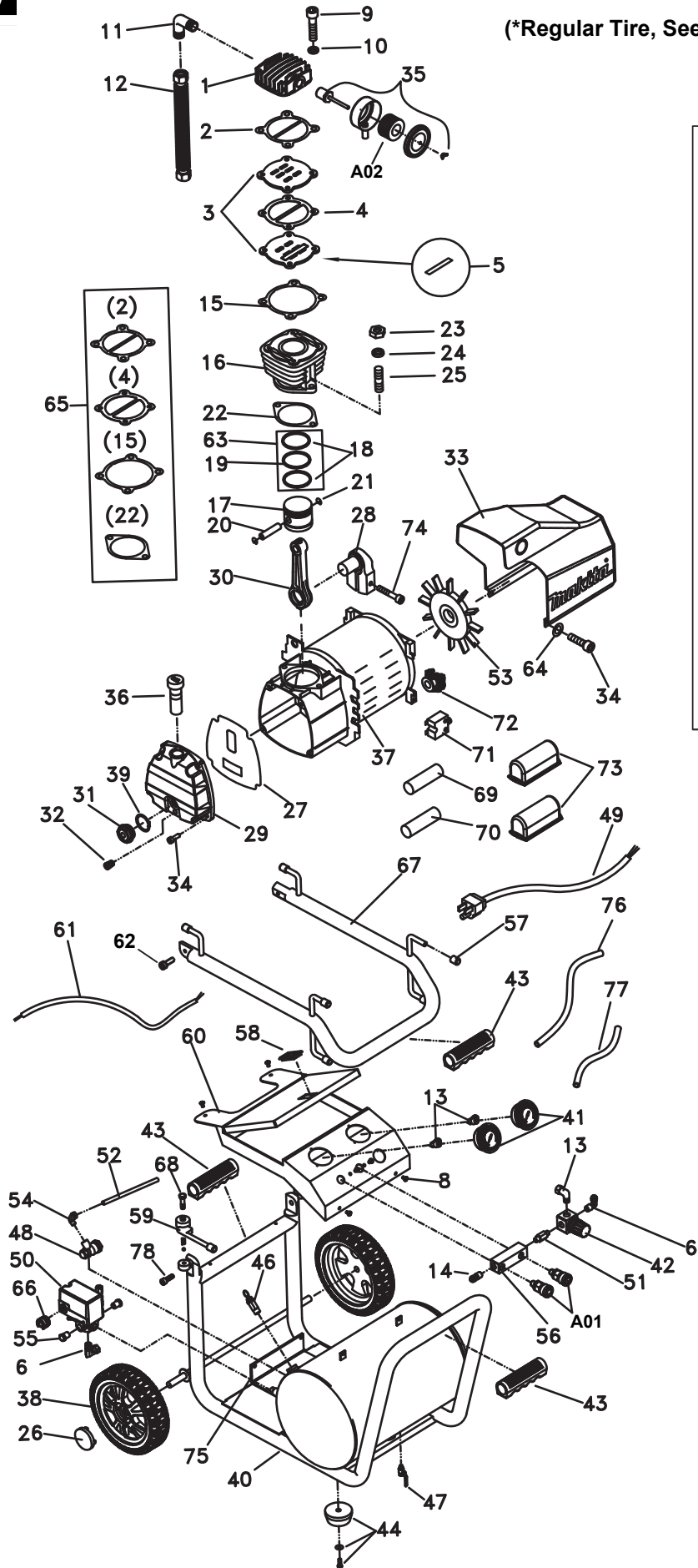
Item No.	Type	Sub	Part No.	Description	Qty	Unit
056			421006	MANIFOLD BLOCK	1	PC.
057			439008	RUBBER CUP	6	PC.
058			435015	TOOL BOX LOCK	1	PC.
059			435010	FOLDING HANDLE LOCK SET (L&R)	1	PC.
060			480039	TOOL BOX	1	PC.
061			453076	WIRING HARNESS (MOTOR PR. SWITCH)	1	PC.
062			353145	BOLT FOR FOLDING HANDLE LOCK	2	PC.
063			RK5200	RING KIT (Includes Item 18 & 19)	1	PC.
064			382004	SPRING WASHER FOR MOTOR COVER	4	PC.
065			GK5200	GASKET KIT (Includes Item 2, 4, 15 & 22)	1	PC.
066			457002	STRAIN RELIEF CLIP	1	PC.
067			435006	FOLDING HANDLE	1	PC.
068			351074	BOLT FOR FOLDING HANDLE LOCK	2	PC.
069			460008	START CAPACITOR	1	PC.
070			462009	RUN CAPACITOR	1	PC.
071			458003	OVERLOAD SWITCH	1	PC.
072			459002	CENTRIFUGAL SWITCH	1	PC.
073			455015	CAPACITOR COVER	2	PC.
074			352106	CRANKSHAFT BOLT	1	PC.
075			488005	BASE PLATE	1	PC.
076			247110	TUBE 3/8" (Added)	1	PC.
076-1			375002	NUT 3/8" F/TUBE 3/8" (Added) - Image N/A	2	PC.
077			240050	TUBE 5/32" x 1/4" (Added)	1	PC.
077-2			375001	NUT 1/4" F/TUBE 5/32" x 1/4" (Added) - Image N/A	2	PC.
078			353145	BOLT (Added)	1	PC.
080			353001	SCREW F/PRESSURE GAUGE	1	PC.
081			371001	NUT F/PRESSURE GAUGE	1	PC.
C01			471151	CARTON	1	PC.

ACCESSORIES

A01	2		10TT-8	QUICK COUPLER (1/4")	2	PC.
A02			171006	AIR FILTER (ELEMENT ONLY)	1	PC.
A03			181122-A	COMPRESSOR OIL (0.25L)	1	PC.
			EAOIL10	COMPRESSOR OIL (1 LITER)	1	PC.
A04			YY036003-A	QUICK CONNECT 1/4" X 1/4" MALE	1	PC.
A05			YY36003-1	QUICK CONNECT 1/4" X 3/8" MALE	1	PC.
A06			YY311002-X	QUICK CONNECT 1/4" X 1/4" FEMALE	1	PC.
A07			YY311018-A	UNIVERSAL AIR COUPLER 1/4" X 1/4" FEMALE	1	PC.
A08			YYVAH25	3/8" X 25' P.V.C. AIR HOSE	1	PC.
			YYVAH50	3/8" X 50' P.V.C. AIR HOSE	1	PC.
			YYRAH25	3/8" X 25' RUBBER AIR HOSE	1	PC.
			YYRAH50	3/8" X 50' RUBBER AIR HOSE	1	PC.
			YYRAH100	3/8" X 100' RUBBER AIR HOSE	1	PC.



MAC5200-P
3HP, 5.2Gal. SINGLE COMPRESSOR
NO-FLAT TIRE
(*Regular Tire, See Page 1 - MAC5200)



Item No.	Type	Sub	Part No.	Description	Qty	Unit
001			101001	CYLINDER HEAD	1	PC.
002			211001	VALVE SEAT TO HEAD GASKET	1	PC.
003			104005	INLET & EXHAUST VALVE SEAT	2	PC.
004			212006	INLET & EXHAUST VALVE SEAL GASKET	1	PC.
005			125004	INLET & EXHAUST VALVE PLATE	2	PC.
006			151209	ELBOW	2	PC.
008			365003	BOLT FOR CONSOLE	4	PC.
009			352087	CYLINDER HEAD BOLT	4	PC.
010			382011	SPRING WASHER	4	PC.
011			151404	DISCHARGE ELBOW	1	PC.
012			230092S	DISCHARGE TUBE ASSY	1	PC.
013			151001	UNLOADING ELBOW	3	PC.
014			441025	NIPPLE	1	PC.
015			213009	VALVE SEAT TO CYLINDER GASKET	1	PC.
016			201013	CYLINDER	1	PC.
017			203002	PISTON	1	PC.
018			206002	COMPRESSION RING	2	PC.
019			207002	OIL CONTROL RING	1	PC.
020			204002	PISTON PIN	1	PC.
021			205001	PISTON PIN SNAP RING	2	PC.
022			214001	CYLINDER TO CRANKCASE GASKET	1	PC.
023			371005	SET NUT (CYLINDER TO CRANKCASE)	2	PC.
024			382005	SPRING WASHER (CYLINDER TO CRANKCASE)	2	PC.
025			358001	DOUBLE HEAD SCREW	2	PC.
026			403003	RETAINER CAP FOR WHEELS #402007	2	PC.
027			215001	CRANKCASE COVER GASKET	1	PC.
028			302001	CRANKSHAFT	1	PC.
029			304014	CRANKCASE COVER	1	PC.
030			316001	CONNECTING ROD	1	PC.
031			321001	OIL SIGHT GAUGE	1	PC.
032			360001	OIL DRAINING PLUG	1	PC.
033			433011	MOTOR COVER	1	PC.
034			352071	MOTOR/CRANKCASE COVER BOLT	9	PC.
035			170013	AIR FILTER ASSY	1	PC.
036			324003	OIL FILLER/CRANKCASE BREATHER	1	PC.
037			251209	ELECTRIC MOTOR/CRANKCASE	1	PC.
		INC.		Item No. 53, 61, 69-71, 73		
038			402007	WHEEL (NO-FLAT)	2	PC.
039			217001	OIL GAUGE GASKET	1	PC.
040			401130	AIR TANK WITH FRAME	1	PC.
041			411029	PRESSURE/REGULATOR GAUGE	2	PC.
			411029-1-01	GLASS LENS	2	PC.
042			410029	REGULATOR	1	PC.
043			435016	RUBBER HANDLE	3	PC.
044			434006	TANK FOOT ASSY	2	PC.
046			407001	SAFETY VALVE (1/4")	1	PC.
047			413008	DRAIN COCK	1	PC.
048			409004	CHECK VALVE	1	PC.
		INC.	485002	ORANGE PUCK	1	PC.
049			452015	POWER CORD	1	PC.
050			412025	PRESSURE SWITCH	1	PC.
051			441001	REGULATOR NIPPLE	1	PC.
052			228070	UNLOADING TUBE ASSY (1/4")	1	PC.
053			431010	MOTOR FAN	1	PC.
054			151002	UNLOADING ELBOW	1	PC.
055			360002	PLUG	2	PC.
056			421006	MANIFOLD BLOCK	1	PC.

Item No.	Type	Sub	Part No.	Description	Qty	Unit
057			439008	RUBBER CUP	6	PC.
058			435015	TOOL BOX LOCK	1	PC.
059			435010	FOLDING HANDLE LOCK SET (L&R)	1	PC.
060			480039	TOOL BOX	1	PC.
061			453076	WIRING HARNESS (MOTOR PR. SWITCH)	1	PC.
062			353145	BOLT FOR FOLDING HANDLE LOCK	2	PC.
063			RK5200	RING KIT (Includes Item 18 & 19)	1	PC.
064			382004	SPRING WASHER FOR MOTOR COVER	4	PC.
065			GK5200	GASKET KIT (Includes 2, 4, 15 & 22)	1	PC.
066			457002	STRAIN RELIEF CLIP	1	PC.
067			435006	FOLDING HANDLE	1	PC.
068			351074	BOLT FOR FOLDING HANDLE LOCK	2	PC.
069			460008	START CAPACITOR	1	PC.
070			462009	RUN CAPACITOR	1	PC.
071			458003	OVERLOAD SWITCH	1	PC.
072			459002	CENTRIFUGAL SWITCH	1	PC.
073			455015	CAPACITOR COVER	2	PC.
074			352106	CRANKSHAFT BOLT	1	PC.
075			488005	BASE PLATE	1	PC.
076			247110	TUBE 3/8" (Added)	1	PC.
76-1			375002	NUT 3/8" F/TUBE 3/8" (Added) - Image N/A	2	PC.
077			240050	TUBE 5/32" x 1/4" (Added)	1	PC.
77-2			375001	NUT 1/4" F/TUBE 5/32" x 1/4" (Added) - Image N/A	2	PC.
078			353145	BOLT (Added)	1	PC.
080			353001	SCREW F/PRESSURE GAUGE (removed)	1	PC.
081			371001	NUT F/PRESSURE GAUGE (removed)	1	PC.
C01			471151	CARTON	1	PC.

ACCESSORIES

A01		2	10TT-8	QUICK COUPLER (1/4")	2	PC.
A02			171006	AIR FILTER (ELEMENT ONLY)	1	PC.
A03			181122-A	COMPRESSOR OIL (0.25L)	1	PC.
			EAOIL10	COMPRESSOR OIL (1 LITER)	1	PC.
A04			YY036003-A	QUICK CONNECT 1/4" X 1/4" MALE	1	PC.
A05			YY36003-1	QUICK CONNECT 1/4" X 3/8" MALE	1	PC.
A06			YY311002-X	QUICK CONNECT 1/4" X 1/4" FEMALE	1	PC.
A07			YY311018-A	UNIVERSAL AIR COUPLER 1/4" X 1/4" FEMALE	1	PC.
A08			YYVAH25	3/8" X 25' P.V.C. AIR HOSE	1	PC.
			YYVAH50	3/8" X 50' P.V.C. AIR HOSE	1	PC.
			YYRAH25	3/8" X 25' RUBBER AIR HOSE	1	PC.
			YYRAH50	3/8" X 50' RUBBER AIR HOSE	1	PC.
			YYRAH100	3/8" X 100' RUBBER AIR HOSE	1	PC.