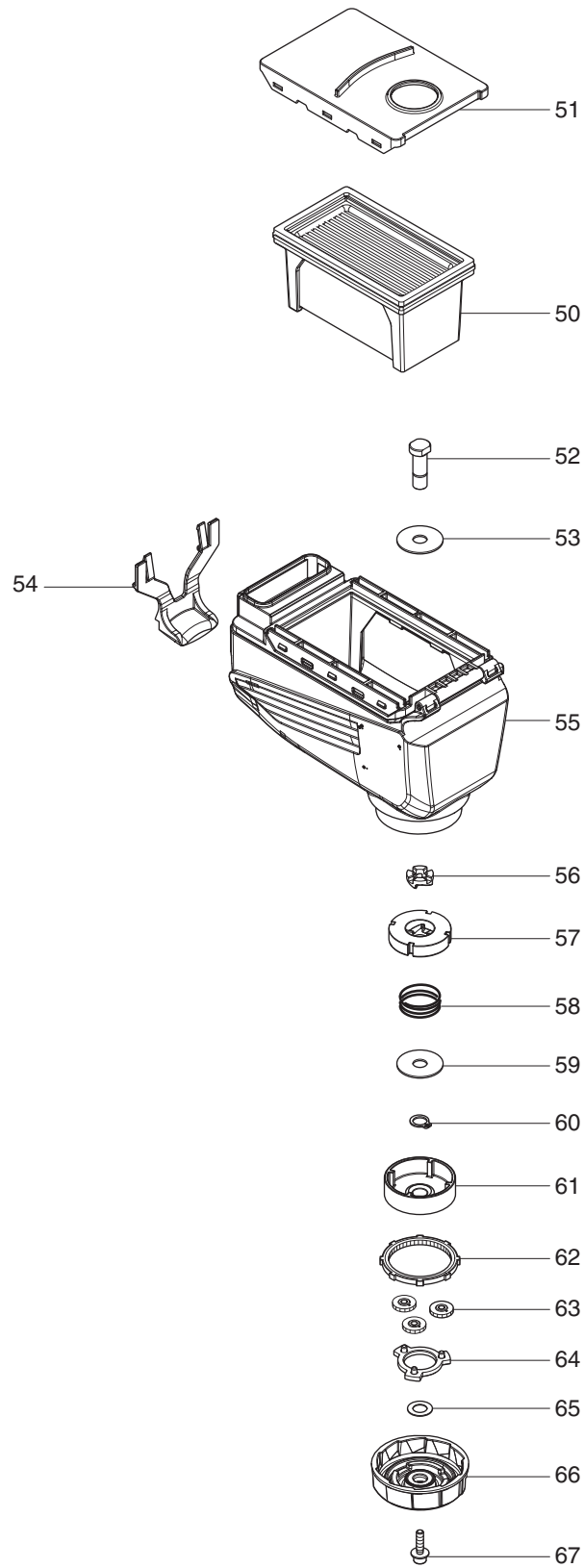


36



Item No.	Type	Sub	Part No.	Description	Qty	Unit
001			424722-2	FITTING RUBBER	1	PC.
002			424474-5	SEALING CAP	1	PC.
003			458291-1	COLLECTOR	1	PC.
004			266326-2	TAPPING SCREW 4X18	2	PC.
005			458288-0	COLLECTOR BASE	1	PC.
006			216002-8	STEEL BALL 4.8	1	PC.
007			233314-4	COMPRESSION SPRING 4	1	PC.
008			458292-9	LOCK LEVER B	1	PC.
009			459597-0	SLIDE PIPE A	1	PC.
010			459598-8	SLIDE PIPE B	1	PC.
011			245045-3	HOSE 30	1	PC.
012			423425-5	SPONGE SHEET B	1	PC.
013			458285-6	INNER PIPE	1	PC.
014			459776-0	SLIDE LEVER A	1	PC.
015			459775-2	STOPPER BASE	1	PC.
016			234227-2	COMPRESSION SPRING 3	1	PC.
017			453702-1	RACK A	1	PC.
018			136179-2	SLIDE LEVER B ASSY	1	PC.
019			232427-8	COMPRESION SPRING 2	1	PC.
022			232428-6	COMPRESION SPRING 3	1	PC.
023			453139-2	RACK B	1	PC.
024			890995-3	CLEAR LABEL	1	PC.
026			266326-2	TAPPING SCREW 4X18	8	PC.
027			183N51-3	HOUSING SET	1	SET
028			620283-2	LED CIRCUIT	1	PC.
030			632L45-8	CONNECTOR	1	PC.
031			234228-0	COMPRESSION SPRING 6	1	PC.
032			459591-2	LIFT PLATE	1	PC.
033			459592-0	HOOK	1	PC.
034			346539-2	GUIDE PLATE	1	PC.
035			263025-7	RUBBER PIN 4	4	PC.
036			199588-6	DUST CASE SET	1	PC.
		INC.		Item No. 50-67		
037			453171-6	FILTER PLATE	1	PC.
038			423427-1	SPONGE SHEET C	1	PC.
039			453143-1	BAFFLE PLATE	1	PC.
040			140P90-8	MOTOR COMPLETE	1	PC.
041			263025-7	RUBBER PIN 4	4	PC.
043			424486-8	EARTH RUBBER	1	PC.
044			346539-2	GUIDE PLATE	1	PC.
045			620C36-7	CONTROLLER	1	PC.
		INC.	654069-2	RECEPTACLE	2	PC.
		INC.	654281-4	RECEPTACLE	4	PC.
047			234228-0	COMPRESSION SPRING 6	1	PC.
048			459595-4	PUSH BUTTON	1	PC.
049			136180-7	SLIDE PIPE ASSY	1	PC.
		INC.		Item No. 1-17		
050			199557-7	FILTER SET	1	PC.
051			453150-4	FILTER COVER	1	PC.
052			327221-2	SHAFT	1	PC.
053			253431-4	FLAT WASHER 8	1	PC.
054			453148-1	RELEASE LEVER	1	PC.

Item No.	Type	Sub	Part No.	Description	Qty	Unit
055			140H67-5	DUST CASE COMPLETE	1	PC.
		INC.	256533-5	ROD 2.5	1	PC.
		INC.	423426-3	SPONGE SHEET A	1	PC.
		INC.	453149-9	FILTER BASE	1	PC.
056			310918-0	CAM	1	PC.
057			310919-8	HAMMER	1	PC.
058			232482-0	COMPRESSION SPRING 21	1	PC.
059			253431-4	FLAT WASHER 8	1	PC.
060			961004-6	RETAINING RING S-8	1	PC.
061			226856-5	SUPER GEAR 17	1	PC.
062			226857-3	INTERNAL GEAR 49	1	PC.
063			226855-7	SUPER GEAR 15	3	PC.
064			140F90-8	CARRIER COMPLETE	1	PC.
065			253430-6	FLAT WASHER 8	1	PC.
066			140H88-7	DIAL COMPLETE	1	PC.
		INC.	422431-7	SPONGE SHEET	1	PC.