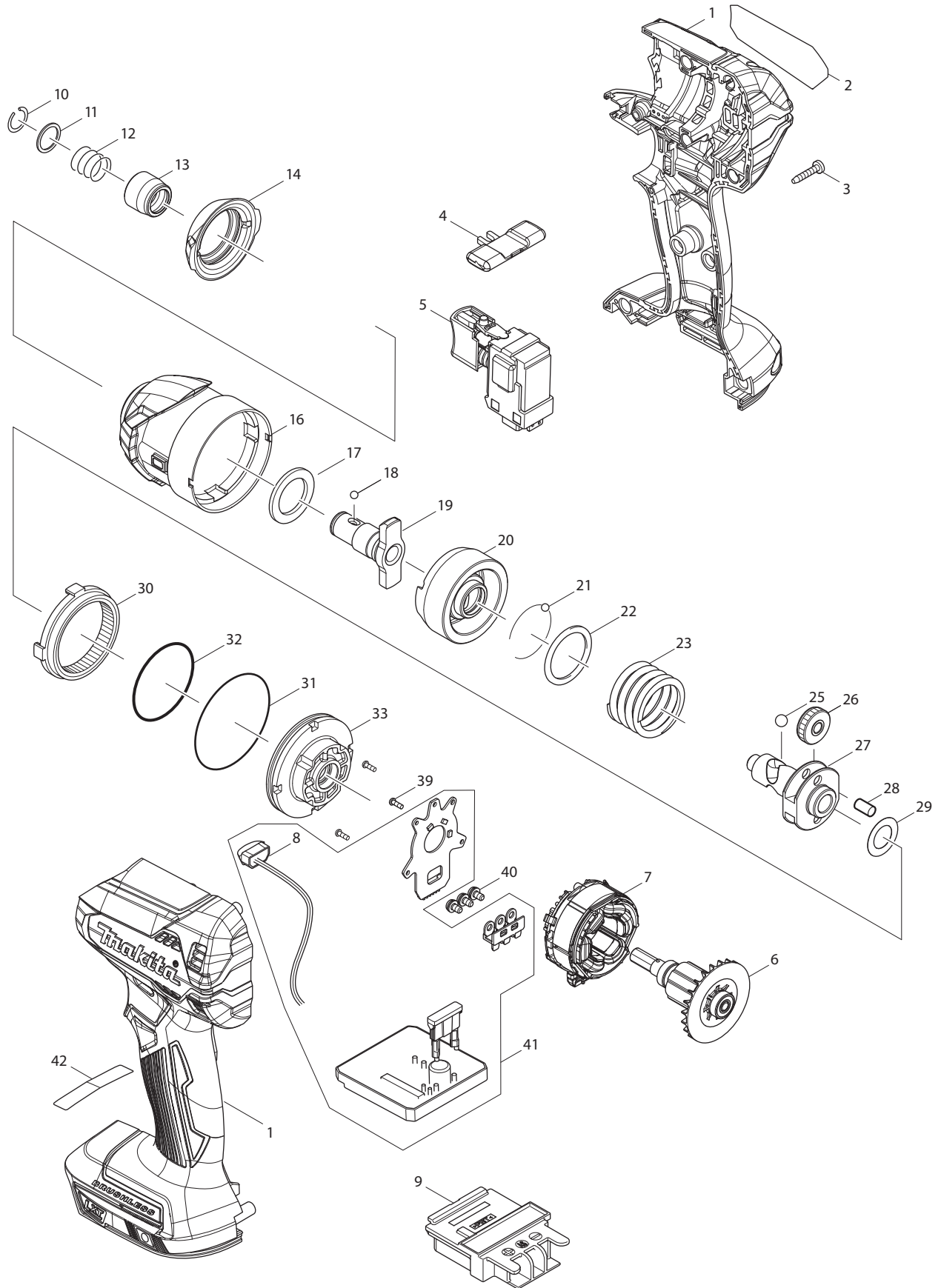




08 - 2016
DTD153Z / DTD153RME / DTD153SYE
18V LXT Brushless 1/4" Impact Driver



Item No.	Type	Sub	Part No.	Description	Qty	Unit
001			183E34-9	HOUSING SET	1	SET
		INC.	263005-3	RUBBER PIN 6	2	PC.
		INC.	252126-6	HEX. LOCKING NUT M4-7	2	PC.
002	2		857L39-4	NAME PLATE F/DTD153	1	PC.
003			266429-2	TAPPING SCREW 3X16	9	PC.
004			455053-8	F/R CHANGE LEVER	1	PC.
005	1		143975-1	SWITCH COMPLETE	1	PC.
	2		141N42-0	SWITCH COMPLETE	1	PC.
006			619404-1	ROTOR	1	PC.
007			629224-5	STATOR	1	PC.
008			620557-1	LED CIRCUIT	1	PC.
009			643860-3	TERMINAL	1	PC.
010			231951-8	RING SPRING 11	1	PC.
011			267085-1	FLAT WASHER 12	1	PC.
012			233005-7	COMPRESSION SPRING 13	1	PC.
013			326068-1	BIT SLEEVE	1	PC.
014			424888-8	BUMPER	1	PC.
016			143957-3	HAMMER CASE COMPLETE	1	PC.
017			261151-6	NYLON WASHER 19	1	PC.
018			216040-0	STEEL BALL 3.5	2	PC.
019			326563-1	ANVIL M	1	PC.
020			326564-9	HAMMER	1	PC.
021			216040-0	STEEL BALL 3.5	24	PC.
022			267175-0	FLAT WASHER 24	1	PC.
023			234251-5	COMPRESSION SPRING 25	1	PC.
025			216041-8	STEEL BALL 5.6	2	PC.
026			227362-3	SPUR GEAR 22	2	PC.
027			326562-3	SPINDLE	1	PC.
028			256253-1	PIN 5	2	PC.
029			253314-8	THIN WASHER 15	1	PC.
030			227378-8	INTERNAL GEAR 51	1	PC.
031			213606-7	O RING 48	1	PC.
032			213507-9	O RING 40	1	PC.
033			143958-1	BEARING BOX COMPLETE	1	PC.
039			266490-9	TAPPING SCREW PT 2X6	3	PC.
040			652069-6	FLAT HEAD SCREW M3X6	3	PC.
041	1		620563-6	CONTROLLER	1	PC.
		INC.		Item No. 8		
	2		620J73-3	CONTROLLER	1	PC.
		INC.		Item No. 8		
042			809R90-6	CAUTION LABEL	1	PC.
043			857L40-9	DTD153 SERIAL NO. LABEL (added)	1	PC.
100			266622-8	+ TRUSS HEAD SCREW M4X12 (F/Hook, Item No A02)	1	PC.

ACCESSORIES

- Visit www.makita.ca for more accessories information -

A02			346449-3	HOOK	1	PC.
A03			450128-8	BATTERY COVER	1	PC.
A04			DC18RC	RAPID CHARGER DC18RC	1	PC.
			DC18SD	STANDARD CHARGER DC18SD	1	PC.
			----	BATTERY CHARGER	1	PC.
A05			196401-9	18V LI-ION BATTERY BL1840B	2	PC.
			196235-0	18V LI-ION BATTERY BL1815N	2	PC.
			----	18V LI-ION BATTERY	1	PC.
A06			821532-2	PLASTIC CARRYING CASE (RP)	1	PC.
		INC.	163455-1	LATCH	2	PC.
A07			141856-3	PLASTIC CARRYING CASE COM.	1	PC.

Item No.	Type	Sub	Part No.	Description	Qty	Unit
		INC.	162302-3	LATCH	2	PC.
A08			----	LI-ION BATTERY ACCESSORIES		
A09			----	IMPACT DRIVERS ACCESSORIES		
A10			197043-2	TOOL CATCHER SET	1	PC.
A11			194633-2	ADJUSTABLE DEPTH GAUGE SET (STOPPER)	1	PC.
A12			122758-2	STOPPER ASS'Y	1	PC.
A13			763067-6	3/8" DRILL CHUCK	1	PC.
A14			763415-9	CHUCK KEY (F/DRILL CHUCK #763067-6)	1	PC.
A15			763418-3	CHUCK KEY	1	PC.
A16			784643-3	CONNECT BIT 6.35-44	1	PC.
A17			191881-4	3/8" DRILL CHUCK ATTACHMENT SET	1	PC.
		INC.		Item No. A15-16		
A18			194250-8	3/8" KEYLESS CHUCK ATTACHMENT -PKG	1	PC.
		INC.		Item No. A16		
A19			763198-1	3/8" KEYLESS CHUCK ATTACHMENT -BULK	1	PC.
		INC.		Item No. A16		
A20			192077-0	3/8" KEYLESS CHUCK ATTACHMENT -PKG	1	PC.