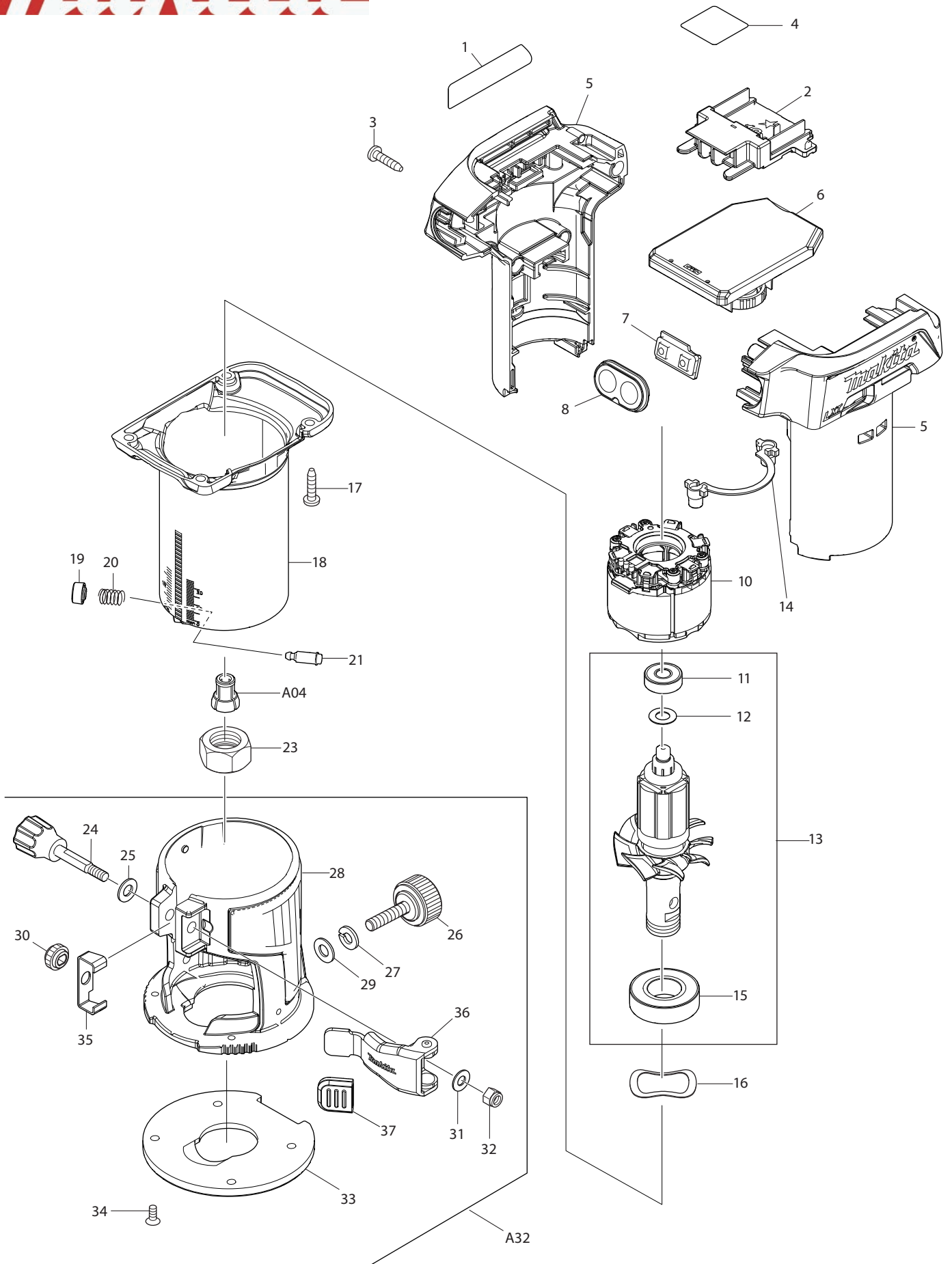




05 - 2017  
DRT50ZX4  
18V LXT Brushless Router



Item No	Type	Sub	Part No	Description	Qty	Unit
001			853N00-1	NAME PLATE F/DRT50	1	PC.
002			643874-2	TERMINAL	1	PC.
003			266326-2	TAPPING SCREW M4X18	4	PC.
004			853N19-0	SERIAL NO. LABEL F/DRT50	1	PC.
005			183G76-5	HOUSING SET	1	SET
005		INC.	263005-3	RUBBER PIN 6	2	PC.
006	2		620F52-7	CONTROLLER A	1	PC.
007			632K92-3	SWITCH UNIT	1	PC.
008			144662-5	SWITCH PLATE COMPLETE	1	PC.
010			629280-5	STATOR	1	PC.
011			210017-7	BALL BEARING 607DDW	1	PC.
012			253186-1	FLAT WASHER 7	1	PC.
013		INC.		Item No. 11, 12 ,15		
013			519449-8	ROTOR ASSY	1	PC.
014			620721-4	LED CIRCUIT	1	PC.
015			210301-0	BALL BEARING 6003DDW	1	PC.
016			253906-3	WAVE WASHER 26	1	PC.
017			266326-2	TAPPING SCREW M4X18	4	PC.
018			144661-7	OUTER HOUSING COMPLETE	1	PC.
019			452468-0	PUSH BUTTON	1	PC.
020			233127-3	COMPRESSION SPRING 7	1	PC.
021			256437-1	PIN 4	1	PC.
023			763615-1	COLLET NUT	1	PC.
024			265792-0	THUMB SCREW M5X35	1	PC.
025			941151-9	FLAT WASHER 6	1	PC.
026			265763-7	THUMB SCREW M6X25	1	PC.
027	2		253428-3	SPRING WASHER 6	1	PC.
028			142403-3	TRIMMER BASE COMPLETE	1	PC.
029			941151-9	FLAT WASHER 6	1	PC.
030			227262-7	SPUR GEAR 16	1	PC.
031			941101-4	FLAT WASHER 5	1	PC.
032			252103-8	HEX LOCK NUT M5-8	1	PC.
033			454842-8	BASE PROTECTOR	1	PC.
034			912112-6	COUNTERSUNK HEAD SCREW M4X10	4	PC.
035			346392-6	CAM PLATE	1	PC.
036			163524-8	LOCK LEVER COMPLETE	1	PC.
037			424396-9	RUBBER CAP	1	PC.

- See Catalogue or visit [www.makita.ca](http://www.makita.ca) for more accessories -

A01			122965-7	STRAIGHT GUIDE ASSEMBLY	1	PC.
A01		INC.	252649-4	THUMB NUT M6	1	PC.
A01		INC.	266339-3	CAP SQUARE NECK BOLT M6X20	1	PC.
A01		INC.	346382-9	GUIDE PLATE	1	PC.
A02			195559-1	DUST NOZZLE SET	1	PC.
A02		INC.	265774-2	THUMB SCREW M4X19	1	PC.
A03			343577-5	TEMPLET GUIDE 10	1	PC.
A04			763637-1	1/4" COLLET CONE	1	PC.
A04			763619-3	3/8" COLLET CONE	1	PC.
A05			781011-1	WRENCH 22	1	PC.
A06			781039-9	WRENCH 13	1	PC.
A07	2		197213-3	INTERLOCKING TOOL CASE XL	1	PC.
A07	2	INC.	453974-8	LATCH	4	PC.
A10			T-02571	FOAM INSERT F/INTERLOCK CASE	4	PC.
A10			837247-1	TRAY F/ INTERLOCKING TOOL CASE XL	1	PC.
A11			122703-7	TRIMMER GUIDE ASSY	1	PC.
A11		INC.	251471-6	- FLAT HEAD SCREW M5	1	PC.
A11		INC.	265135-6	+ COUNTERSUNK HEAD SCREW M4X10	1	PC.
A11		INC.	265763-7	THUMB SCREW M6X25	1	PC.
A11		INC.	265764-5	THUMB SCREW M6	1	PC.
A11		INC.	317788-8	GUIDE HOLDER	1	PC.
A11		INC.	324378-0	ROLLER 11	1	PC.
A11		INC.	341136-9	HOOK	1	PC.
A11		INC.	941151-9	FLAT WASHER 6	1	PC.
A12			196094-2	PLUNGE BASE SET - See Parts Breakdown #196094-2	1	PC.

Item No	Type	Sub	Part No	Description	Qty	Unit
A14			153489-2	GRIP 36 COMPLETE (Resin Grip)	1	PC.
A15			195564-8	GUIDE HOLDER SET	1	PC.
A15		INC.	252649-4	THUMB NUT M6	1	PC.
A15		INC.	256850-3	ROD 8	2	PC.
A15		INC.	266339-3	CAP SQUARE NECK BOLT M6X20	1	PC.
A16			P-80011	DUST ASSEMBLY	1	PC.
A16		INC.	213022-3	O RING 3	2	PC.
A16		INC.	265774-2	THUMB SCREW M4X19	1	PC.
A17			193043-0	TEMPLER GUIDE 16,SKIN PACK	1	PC.
A18			196093-4	OFFSET BASE SET - See Parts Breakdown #196093-4	1	PC.
A20			-----	LI-ION BATTERY ACCESSORIES		
A21			-----	18V LI-ION BATTERY		
A22			-----	BATTERY CHARGER		
A23			191750-9	FLEXIBLE HOSE SET	1	PC.
A24			194368-5	GUIDE RAIL 1400 SET	1	PC.
A24			194925-9	GUIDE RAIL 1900 SET	1	PC.
A24			194367-7	GUIDE RAIL 3000 SET	1	PC.
A25			194385-5	CLAMP SET, 2/SE FOR GUIDE RAIL	1	PC.
A26			194416-0	VINYL SHEET 384" (1000MM)	1	PC.
A27			194417-8	RUBBER SHEET 384" (1000MM)	1	PC.
A28			194418-6	RUBBER POSITION SHEET 55" (1400MM)	1	PC.
A28			194419-4	RUBBER POSITION SHEET 118" (3000MM)	1	PC.
A28			194910-2	POSITION SHEET 1900 SET	1	PC.
A29			194579-2	GUIDE RAIL ADAPTER SET	1	PC.
A30			-----	2 FLUTE ROUTER BITS		
A31			193312-9	STRAIGHT GUIDE, MICRO ADJ,STL	1	PC.
A32			196613-4	TRIMMER BASE SET	1	PC.
A32		INC.		Item No. 24-37		
A33			195570-3	ACCESSORY SET	1	PC.
A33		INC.		Item No. A03-A06	1	PC.
A34			198885-7	GUIDE RAIL CONNECTORS	1	PC.
A35			199140-0	GUIDE RAIL 1000 SET	1	PC.
A36			199141-8	GUIDE RAIL 1500 SET	1	PC.
A37	2		E-05664	55" - 59" GUIDE RAIL HOLDER	1	PC.
A38	2		E-10936	GUIDE RAIL BAG 3000MM	1	PC.
A39			196924-7	GRIP ATTACHMENT SET	1	PC.
A40			199826-6	RATCHET CLAMP SET	1	PC.
E01			813J80-5	CAUTION LABEL	1	PC.