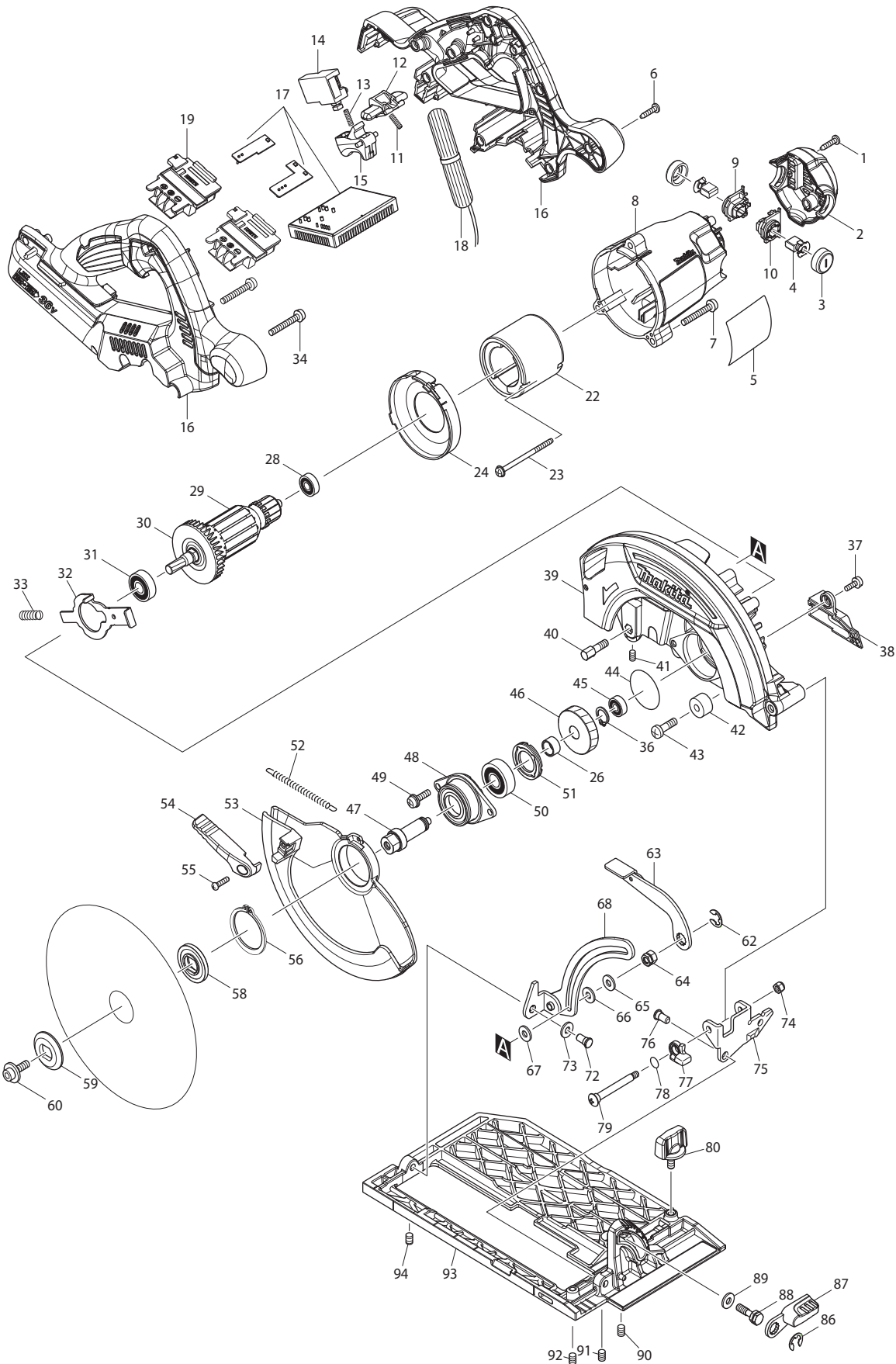




11 - 2013  
DHS711PF2, DHS711Z  
18V x 2 7-1/4" CIRCULAR SAW



Item No	Type	Sub	Part No	Description	Qty	Unit
001			266326-2	TAPPING SCREW 4X18	2	PC.
002			454697-1	REAR COVER	1	PC.
003			643829-7	HOLDER CAP	2	PC.
004			195023-2	CARBON BRUSH CB-442 2PC/SET (W/ ORIGIN)	1	SET
005			814Y60-4	NAME PLATE F/DHS711	1	PC.
006			266326-2	TAPPING SCREW 4X18	9	PC.
007			911258-5	PAN HEAD SCREW M5X35	3	PC.
008			454693-9	MOTOR HOUSING	1	PC.
009			644505-6	BRUSH HOLDER	1	PC.
010			644506-4	BRUSH HOLDER	1	PC.
011			231469-9	COMPRESSION SPRING 4	1	PC.
012			419664-3	LOCK OFF LEVER	1	PC.
013			231469-9	COMPRESSION SPRING 4	1	PC.
014			650730-9	SWITCH TG72BD-6	1	PC.
015			419665-1	SWITCH LEVER	1	PC.
016			187770-9	HANDLE SET	1	SET
		INC.	263005-3	RUBBER PIN 6	4	PC.
		INC.	802G91-7	CAUTION LABEL	1	PC.
		INC.	802G93-3	INDICATION LABEL	1	PC.
017	2		620828-6	CONTROLLER	1	PC.
018			632B66-0	LEAD UNIT	1	PC.
019			643899-6	TERMINAL	2	PC.
022			638571-3	YOKE UNIT	1	PC.
023			266292-3	TAPPING SCREW 4X65	2	PC.
024			454696-3	BAFFLE PLATE	1	PC.
026			257349-1	SLEEVE 12	1	PC.
028			210017-7	BALL BEARING 607DDW	1	PC.
029			519332-9	ARMATURE ASS'Y 36V	1	PC.
		INC.		Item. 28,30,31		
030			240045-8	FAN 55	1	PC.
031			210059-1	BALL BEARING 6000DDW	1	PC.
032			344681-3	SHAFT LOCK	1	PC.
033			233117-6	COMPRESSION SPRING 6	1	PC.
034			911258-5	PAN HEAD SCREW M5X35	2	PC.
036			961052-5	RETAINING RING S-12	1	PC.
037			911223-4	PAN HEAD SCREW M5X16	1	PC.
038			453285-1	DUCT	1	PC.
039			142365-5	BLADE CASE COMPLETE	1	PC.
		INC.	213434-0	O RING 26	1	PC.
040			265594-4	HEX.BOLT M6X18	1	PC.
041			266229-0	H.S.SET SCREW(CUP POINT)M5X8	1	PC.
042	2		262502-6	RUBBER SLEEVE 6	1	PC.
043			251247-1	+ PAN HEAD SCREW M6X20	1	PC.
044			213512-6	O RING 39	1	PC.
045			210028-2	BALL BEARING 606ZZ	1	PC.
046			227786-3	HELICAL GEAR 49	1	PC.
047			326357-4	SPINDLE	1	PC.
048			319088-2	BEARING BOX	1	PC.
049			911233-1	PAN HEAD SCREW M5X20	2	PC.
050			211129-9	BALL BEARING 6201DDW	1	PC.
051			285852-2	BEARING RETAINER 19-33	1	PC.
052			231877-4	TENSION SPRING 4	1	PC.
053			319072-7	SAFETY COVER	1	PC.
054			272252-5	LEVER 65	1	PC.
055			265178-8	PAN HEAD SCREW M4X16	1	PC.

Item No	Type	Sub	Part No	Description	Qty	Unit
056			961155-5	RETAINING RING S-38	1	PC.
058			224411-7	INNER FLANGE 35	1	PC.
059			224409-4	OUTER FLANGE 35	1	PC.
060	2		266925-0	* HEX. SOCKET HEAD BOLT M6X18	1	PC.
062			257982-9	BOW STOP RING E-8	1	PC.
063			272279-5	LEVER PLATE	1	PC.
064			264096-7	HEX. NUT M6	1	PC.
065			267100-1	FLAT WASHER 6	1	PC.
066			267100-1	FLAT WASHER 6	1	PC.
067			267100-1	FLAT WASHER 6	1	PC.
068			142268-3	DEPTH GUIDE COMPLETE	1	PC.
072			256480-0	SHOULDER PIN 6-7	1	PC.
073			253133-2	FLAT WASHER 7	1	PC.
074			252103-8	HEX. LOCK NUT M5-8	1	PC.
075			345590-9	ANGULAR GUIDE	1	PC.
076			256480-0	SHOULDER PIN 6-7	1	PC.
077			318823-5	STOPPER	1	PC.
078	2		213977-2	O RING 9	1	PC.
079			266734-7	+ TRUSS HEAD SCREW O5	1	PC.
080			265798-8	THUMB SCREW M6X14	1	PC.
086			257982-9	BOW STOP RING E-8	1	PC.
087			272272-9	LEVER 45	1	PC.
088	1		266735-5	* HEX.BOLT M6X20	1	PC.
	2		265B21-3	* HEX.BOLT M6X20	1	PC.
089	1		941151-9	* FLAT WASHER 6	1	PC.
090			266208-8	H.S.SET SCREW(CUP POINT)M6X8	1	PC.
091			266208-8	H.S.SET SCREW(CUP POINT)M6X8	1	PC.
092			266208-8	H.S.SET SCREW(CUP POINT)M6X8	1	PC.
093			142367-1	BASE COMPLETE	1	PC.
		INC.	802G92-5	SCALE LABEL	1	PC.
094			266208-8	H.S.SET SCREW(CUP POINT)M6X8	1	PC.
C01	2		876767-0	CARTON F/DHS711Z	1	PC.
D01			654510-5	INSULATED CONNECTOR 5.5-SD	1	PC.

**ACCESSORIES**

- See Catalogue or visit [www.makita.ca](http://www.makita.ca) for more accessories -

A01			164095-8	GUIDE RULE (RIP FENCE)	1	PC.
A02			783217-7	HEX. WRENCH 5	1	PC.
A03			A-94530-10	7-1/4" FRAMING BLADE, 24T 5/8" 10PC/PK	1	PC.
A04			197213-3	INTERLOCKING CASE XL	1	PC.
		INC.	453974-8	LATCH	4	PC.
A05			838259-7	INNER TRAY F/ INTERLOCKING CASE XL	1	PC.
A06			A-94839-10	7-1/4" BLADE 24T 5/8" 10PK	1	PK.
A07			D-35352-10	7-1/4" CT BLADE 24T 5/8" 10BX	1	PK.
A09			A-94530-10	7-1/4" BLADE 24T 5/8" 10PC/SET	1	SET
A10			196843-7	DUST NOZZLE SET	1	PC.
A11			821010-X	TOOL BAG 14"	1	PC.
			831278-2	LXT TOOL BAG, BLUE	1	PC.
A12			MK403-M	CONSTRUCTION WORK GLOVES M	1	PC.
			MK403-L	CONSTRUCTION WORK GLOVES L	1	PC.
			MK403-XL	CONSTRUCTION WORK GLOVES XL	1	PC.
			MK404-M	IMPACT WORK GLOVES M	1	PC.
			MK404-L	IMPACT WORK GLOVES L	1	PC.
			MK404-XL	IMPACT WORK GLOVES XL	1	PC.
			MK405-M	DEMOLITION WORK GLOVES M	1	PC.
			MK405-L	DEMOLITION WORK GLOVES L	1	PC.

Item No	Type	Sub	Part No	Description	Qty	Unit
			MK405-XL	DEMOLITION WORK GLOVES XL	1	PC.
A13			-----	18V LI-ION BATTERY		
A14			-----	BATTERY CHARGER		
A15			-----	LI-ION BATTERY ACCESSORIES		

**SERVICE CHANGES**

**1. Change of Hex Bolt M6x20 and Flat Washer 6**

T/I#D5231

Item No.	Description	Type 1	Type 2
088	HEX BOLT M6X20	266735-5	265B21-3
089	FLAT WASHER 6	941151-9	-----

Above parts are completely interchangeable as a set.