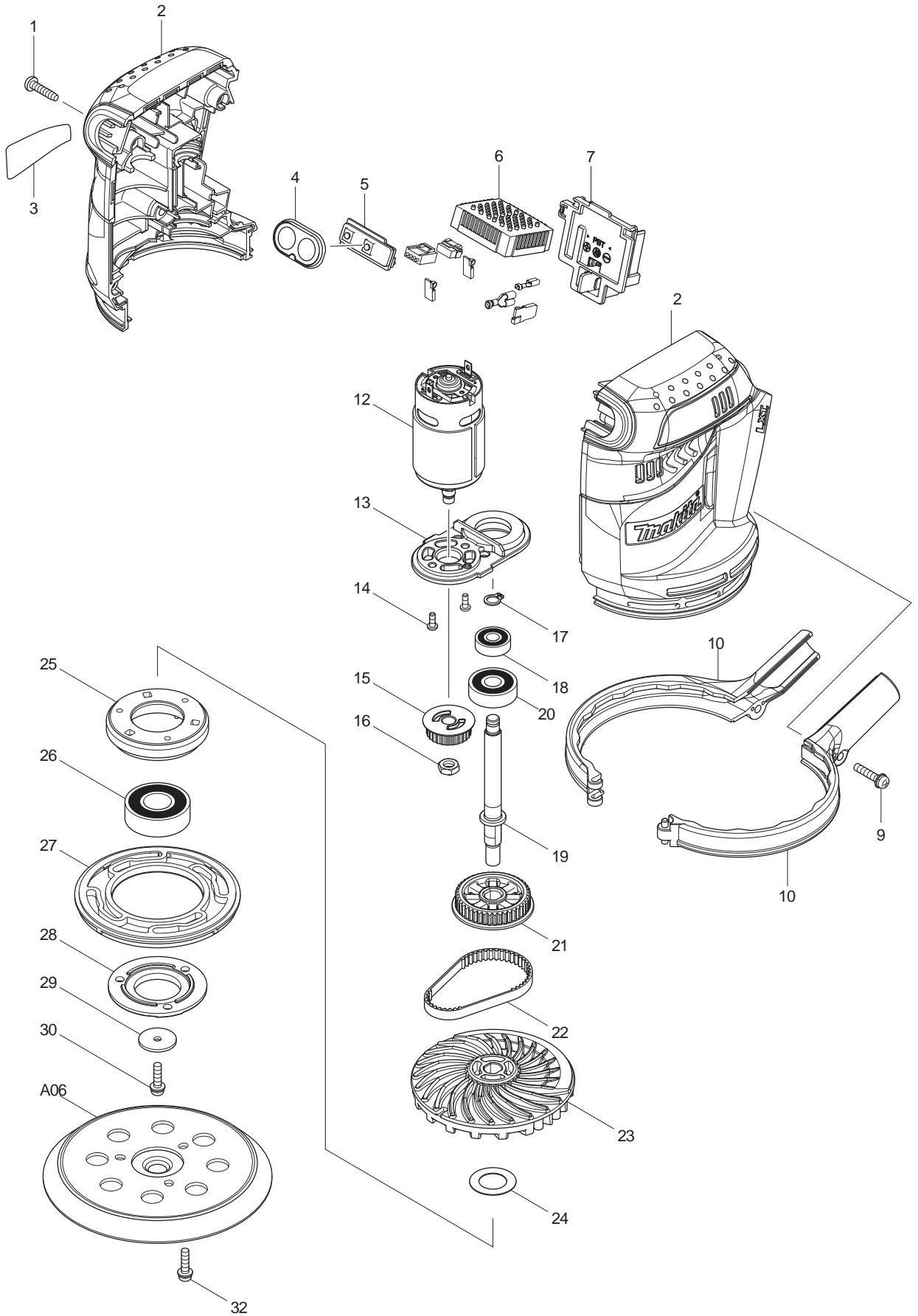




03 - 2014
DBO180Z
18V 5" RANDOM SANDER



Item No	Type	Part No	Description	Qty	Unit
001		265995-6	TAPPING SCREW 4X18	5	PC.
002		187822-6	HOUSING SET	1	SET
	INC.	263005-3	RUBBER PIN 6	2	PC.
	INC.	802W97-1	CAUTION LABEL	1	PC.
003		815F52-2	NAME PLATE F/DBO180	1	PC.
004		141419-5	SWITCH PLATE COMPLETE	1	PC.
005		620115-3	SWITCH UNIT	1	PC.
006	2	632M22-6	CONTROLLER UNIT	1	PC.
007		644808-8	TERMINAL	1	PC.
009		911138-5	PAN HEAD SCREW M4X20	1	PC.
010		187360-8	SKIRT SET	1	SET
012		629952-2	DC MOTOR	1	PC.
013		453632-6	MOTOR BRACKET	1	PC.
014		265199-0	+ PAN HEAD SCREW M3X8	2	PC.
015		222175-7	PULLEY 7.5-24.1	1	PC.
016		931303-0	HEX. NUT M6	1	PC.
017		961003-8	RETAINING RING S-7	1	PC.
018		210062-2	BALL BEARING 607ZZ	1	PC.
019		326168-7	SPINDLE	1	PC.
020		211092-6	BALL BEARING 629DDW	1	PC.
021		222176-5	PULLEY 7.5-40.3	1	PC.
022		225095-4	SYNCHRO BELT 6-174	1	PC.
023		240136-5	FAN 88	1	PC.
024		267164-5	FLAT WASHER 15	1	PC.
025		318304-9	BEARING BOX	1	PC.
026		211228-7	BALL BEARING 6202DDW	1	PC.
027		424131-5	BRAKE RING	1	PC.
028		318303-1	BEARING BOX COVER	1	PC.
029		253739-6	FLAT WASHER 4	1	PC.
030		911128-8	PAN HEAD SCREW M4X16	1	PC.
032		911128-8	PAN HEAD SCREW M4X16	3	PC.
C01		873303-3	CARTON FOR DBO180Z	1	PC.

ACCESSORIES

- See catalogue or visit www.makita.ca for more accessories -

A01		166078-4	DUST BAG	1	PC.
A02		257202-1	RING 25	1	PC.
A03		416063-0	DUST BAG NOZZLE	1	PC.
A04		416064-8	DUST NOZZLE	1	PC.
A05		794520-1	5" HOOK & LOOP ABRASIVE DISC GRIT 120 5/PK	1	PC.
A06		743081-8	PAD 123, HOOK&LOOP	1	PC.
A07	2	A-34235	HOSE COMPLETE 28-1.5M SET W/FRONT CUFFS 22, 38	1	PC.
A08		P-80024	JOINT 25	1	PC.
A09		194746-9	PAPER DUST BAG SET	1	PC.
A09		821007X	TOOL BAG 21"	1	PC.
A10		195133-5	FILTER SET	1	PC.
A11		196152-4	FELT PAD SET (Thickness 6mm)	1	PC.
A12		-----	18V LI-ION BATTERY		
A13		-----	BATTERY CHARGER		
A14		450128-8	BATTERY COVER	1	PC.
A15		135222-4	DUST BAG ASSY	1	PC.
	INC.		Item No. A01-A04		
A16		135246-0	DUST BOX ASSY	1	PC.